

CZM

FOUNDATION EQUIPMENT



LR95 LONG REACH

CAT330 NG

ABOUT THE LONG REACH SERIES

APPLICATIONS:

- **Long Reach**, the longest reach drill rig of its class in the market.
- Conversion to **Long Mast** and **Short Mast** options available.

BASE:

- The **new Cat 330 Next Gen** is a purpose-built machine powered by a fuel-efficient U.S. EPA **Tier 4 Final** C7.1 ACERT engine.
- Equipped with **CAT Vision Link** that allows management to monitor machine operations and maintenance data online and wireless, providing information such as location, hours, fuel usage, idle time, event codes and maintenance schedule.

UNDERCARRIAGE:

- Caterpillar **variable undercarriage** VH4400/4230/700. Reinforced frame H style variable undercarriage.

MAST:

- Reinforced mast, with high resistance steel **Weldox 700**.

ROTARY:

- **Robust design**, with 2 slewing bearings on top and bottom, robust pinion and main gear.
- Anti-cavitation and anti-shock system for longer hydraulic motor life.
- **2 groups of Hydraulic Motor / Planetary Gear** for high torque, high speeds and long life.
- Cooling system for hydraulic motors and gearboxes.
- Power-shift for **High spin-off speed (120rpm)** for quick discharge of soil.
- **3 operation speeds** and 3 spinoff speeds. For high torque and high speeds.
- **Automatic gear shifting**, for seamless operation, high production.
- **Exchangeable keys**, bolted. No need to rebuild keys by welding inside the rotary.
- Hydraulic measurement of torque displayed in the cabin for the operator.

MAIN WINCH:

- **Special groove** for better cable winding and longer cable life.
- Press-roller included
- **2 gears** allows for both **high speed** and **high pulling force**.
- **Automatic gear shifting**, for seamless operation, high production.
- Automatic down the hole winch stop. When Kelly bar reaches the bottom of the hole, winch automatic stops.
- Free willing winch during crowd operation.
- Hydraulic and mechanic brake.
- Hydraulic measurement of pulling force displayed in the cabin for operator.

KELLY BAR:

- Large inner passage on rotary allows for **large diameter pipes** (16in) and **thicker keys**.
- Thick Keys made of Wear resistant materials – **Hardox 450**.

CAB:

- AM/FM Radio, Air conditioning/Heating
- ROPS cab
- Top protection
- LCD monitor for Engine and Hydraulics computer, with diagnostic system

CONTROL SYSTEM:

- Touch Screen Display
- Measurements:
 - Torque and rotary speeds
 - Drilling depth
 - Mast inclination X/Y axis
 - Main Winch pulling force
 - Crowd force
- Automatic functions:
 - Auto-level of mast
 - Rotary automatic gear shifting
 - Main Winch automatic gear shifting
 - Drill Lock
 - Auto Crowd
 - Return to Center
- Maintenance and data logging

ACCESSORIES:

- Lighting package
- Refueling pump
- Cold weather start up package
- Fine filtration system
- Tool & O'ring kits

TECHNICAL SPECIFICATIONS

KELLY BAR SHORT MAST APPLICATION

Drilling Depth (interlock kelly bar)*	53 ft	16,150 mm
Maximum Drilling Depth (Interlocking bars)	80 ft	24,380 mm
Maximum Drilling Depth (Friction bars)	100 ft	30,480 mm
Drilling Diameter	11 ft	3,350 mm

*For longer bars, mast extension is required.

ROTARY HEAD - RT 406-10

Max. torque (nominal)	105,530 ft.lbs	14,630 kg.m
Working speed of rotation	19 – 36 rpm	
Spin-off rotation	80-140 rpm	

CROWD SYSTEM

Cylinder stroke - short mast	6 ft 3 in	1,920 mm
Cylinder push force	27,000 lbf	12,300 kgf
Cylinder push speed	128 ft/min	33 m/min
Cylinder pull force	39,600 lbf	18,000 kgf
Cylinder pull speed	118 ft/min	36 m/min

MAIN WINCH

Max. pull-force - 1st Layer (effective)	27,120 lbf	12,330 kgf
Line speed - 1st Layer	412 ft/min	125 m/min
Cable diameter	3/4 in	20 mm
Drum diameter - 1st Layer	15.75 in	400 mm

AUXILIARY WINCH

Max. pull-force - 1st Layer (effective)	14,300 lbf	6,500 kgf
Cable diameter	5/8 in	16 mm
Drum diameter - 1st Layer	10.2 in	260 mm

MAST INCLINATION

Backward	15°	15°
Forward	10°	10°
Sideways	12° / 12°	12° / 12°

DIESEL ENGINE CAT330 NEXT GEN (CAT® C7.1 ACERT™)

Net Power – SAE J1349	273 hp	203 kW
Displacement	428 in ³	7.1 L
Fuel Tank	125 gal	474 L

HYDRAULIC SYSTEM

Hydraulic pressure	5,076 psi	350 bar
Flow rate (main circuit)	2x74 gal/min	2x280 L/min
Hydraulic oil tank capacity	38.8 gal	147 L
Flow rate (auxiliary circuit)	33.7 gal/min	128 L/min

UNDERCARRIAGE

Track length	17 ft	5,200 mm
Length to Center of rollers	14 ft 5 in	4,400 mm
Transport position width (retracted)	9 ft 11 in	3,000 mm
Working position width (extended)	14 ft 1 in	4,300 mm
Shoes width	28 in	700 mm
Max. drawbar pull (both tracks)	90,200 lbf	41,000 kgf
Max. travel speed	1.30 mph	2.0 km/h

TRANSPORT

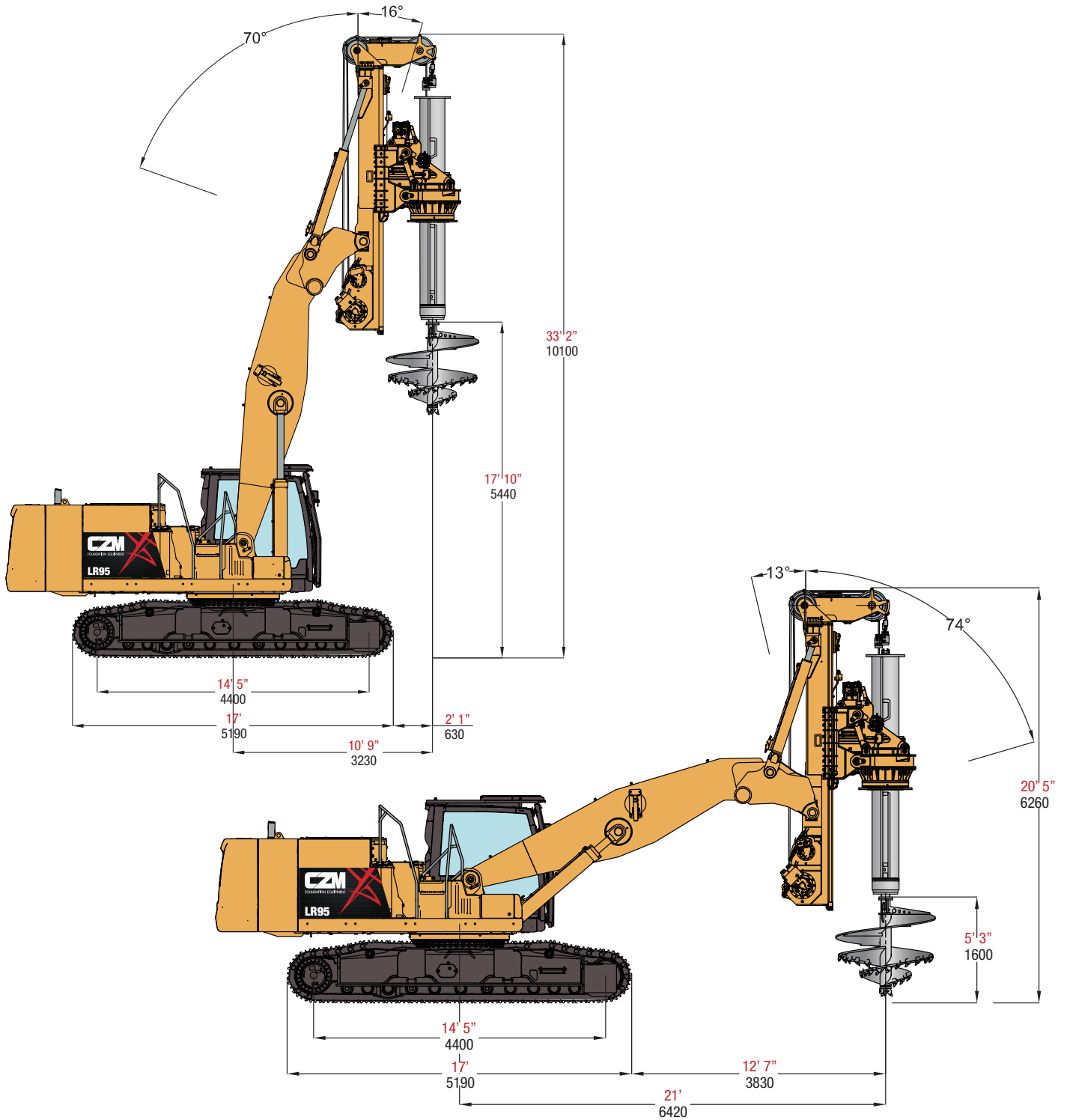
Transport height	10 ft 4 in	3,150 mm
Length	41 ft 4 in	12,600 mm
Transport width	9 ft 11 in	3,000 mm
Minimum transport weight	100,000 lb	45,500 kg

GENERAL DATA

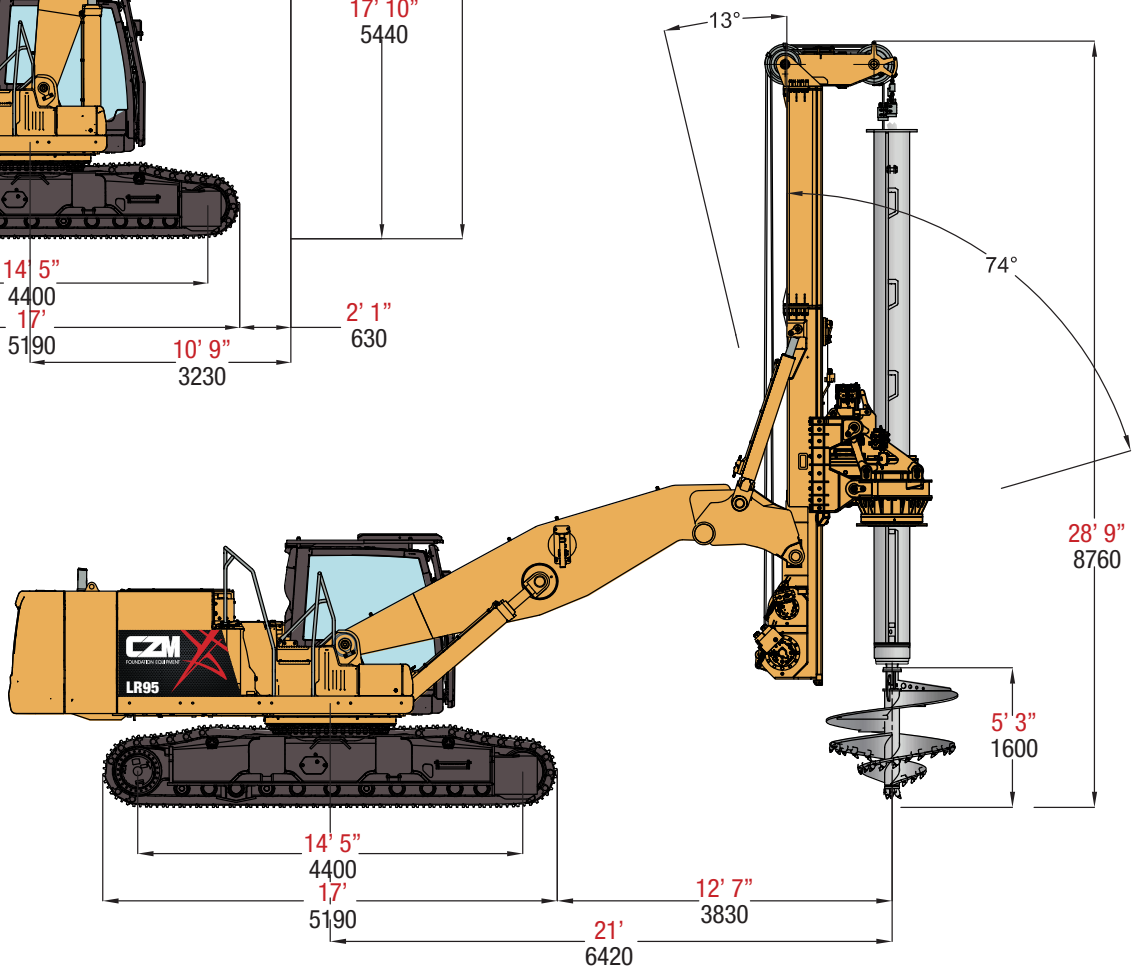
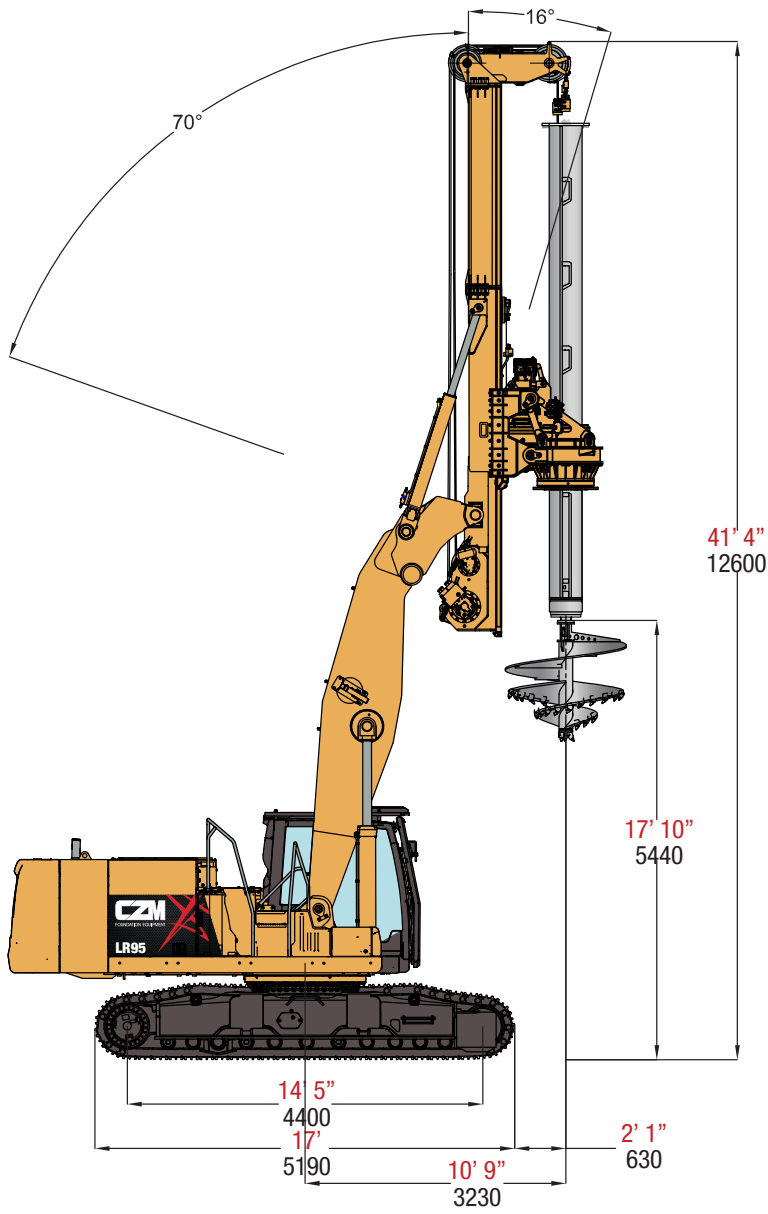
Overall height (boom in)	33 ft 2 in	10,100 mm
Overall height (boom out)	19 ft 2 in	5,825 mm
Operating weight	100,000 lb	45,500 kg



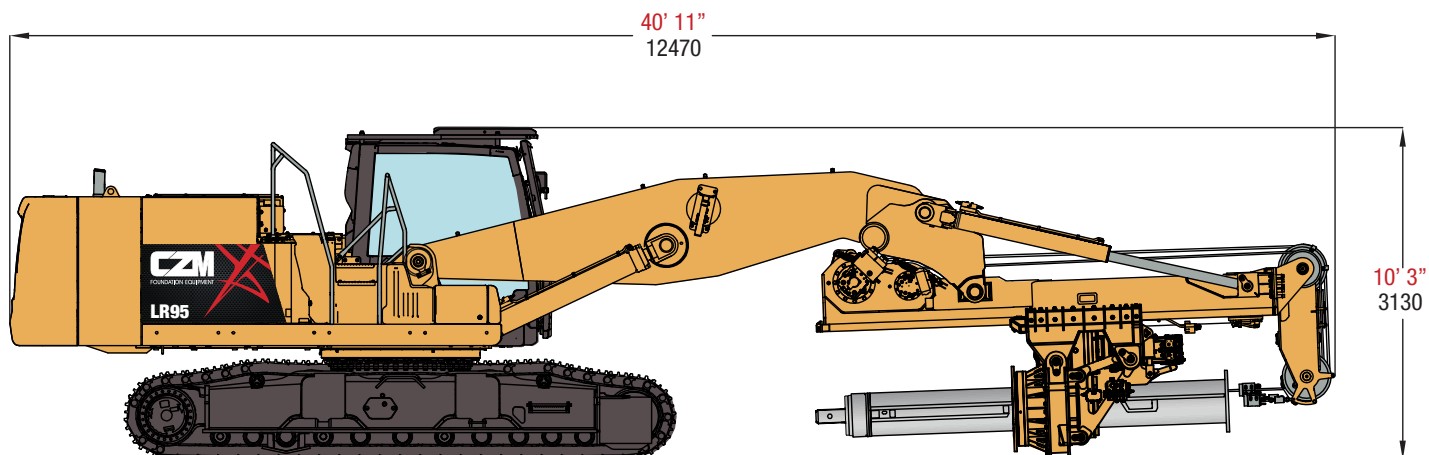
GENERAL DIMENSIONS SHORT MAST



GENERAL DIMENSIONS LONG MAST



TRANSPORT POSITION GENERAL DIMENSIONS



KELLY BAR OPTIONS FOR LR95

	NUMBER OF ELEMENTS	DEPTH - DPT	CLOSED LENGTH	WEIGHT
3/40 Interlock	5	45' / 15.7m	14' 2" / 4.3m	5,900lbs / 2,700kg
5/55 Interlock	5	53' / 16m	15' 2" / 4.6m	8,300lbs / 3,800kg
5/65 Interlock	5	80' / 24m	17' 2" / 5.2m	9,500lbs / 4,300kg
5/80 Interlock	5	55' / 16.8m	20' 2" / 6.1m	11,600lbs / 5,270kg
5/65 Friction	5	70' / 21m	17' 2" / 5.2m	9,300lbs / 4,220kg
5/80 Friction	5	100' / 30.5m	20' 2" / 6.1m	11,400lbs / 5,180kg

LR95
Mounted on
CAT330 NG

”





FOUNDATION EQUIPMENT

▲ THE COMPANY

CZM is headquartered in Savannah, Georgia, USA. For over 40 years, we have specialized in manufacturing foundation equipment. We design and customize models for many different drilling applications including Drill shafts, CFA/cased CFA, Micropile and anchoring, piledrive and hydraulic hammers and soil improvements. We are a Caterpillar OEM (Original Equipment Manufacturer).

HEADQUARTERS

962 Interstate Centre Boulevard
Ellabell • Georgia • 31308
United States • Phone: (912) 200-7654

AFTER SALES - GEORGIA

145 East Industrial Boulevard
Pembroke • Georgia • 31321
United States • Phone: (912) 200-7656

AFTER SALES - TEXAS

2501 Blue Mound Rd. W
Haslet • Texas • 76052
United States • Phone: (817) 232-8053

AFTER SALES - CALIFORNIA

1720 N. Ventura Avenue
Ventura • California • 93001
United States • Phone: (805) 667-8416

WWW.CZM-US.COM    